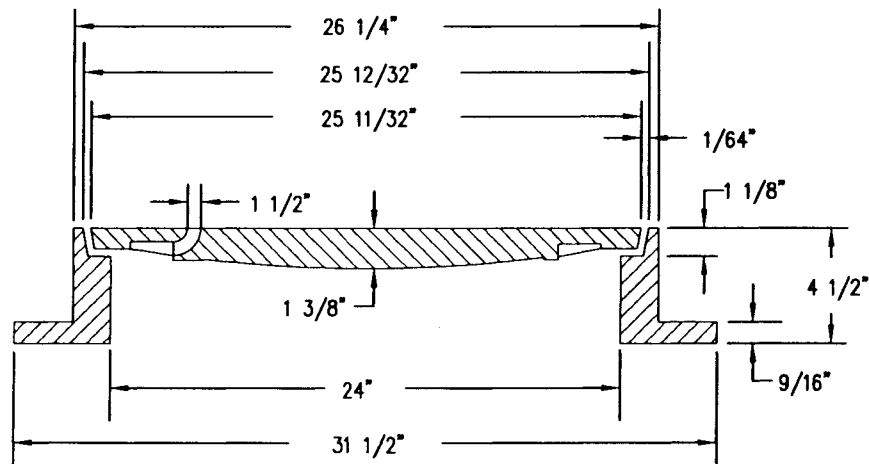
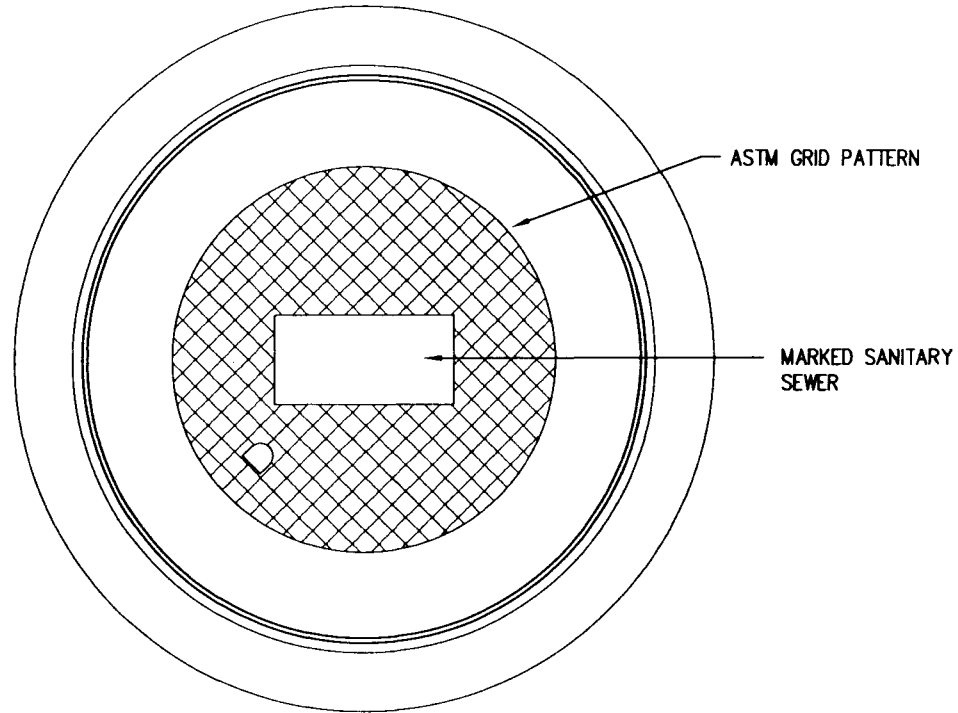


NOTE:
 MANHOLE FRAME & COVER TEICHERT NO. PTB019 FOR
 FRAME, PTB215 FOR SS COVER; D & L SUPPLY NO.
 A-1024; SOUTH BAY FOUNDRY NO. SBF 1900 SAC;
 OR CITY APPROVED EQUAL.



**SANITARY SEWER
 MANHOLE FRAME
 & COVER**

CITY OF YUBA CITY	
STANDARD DETAIL	
SS2	
<i>[Signature]</i>	7/29/09
APPROVED	DATE

DATE	REVISIONS	BY