

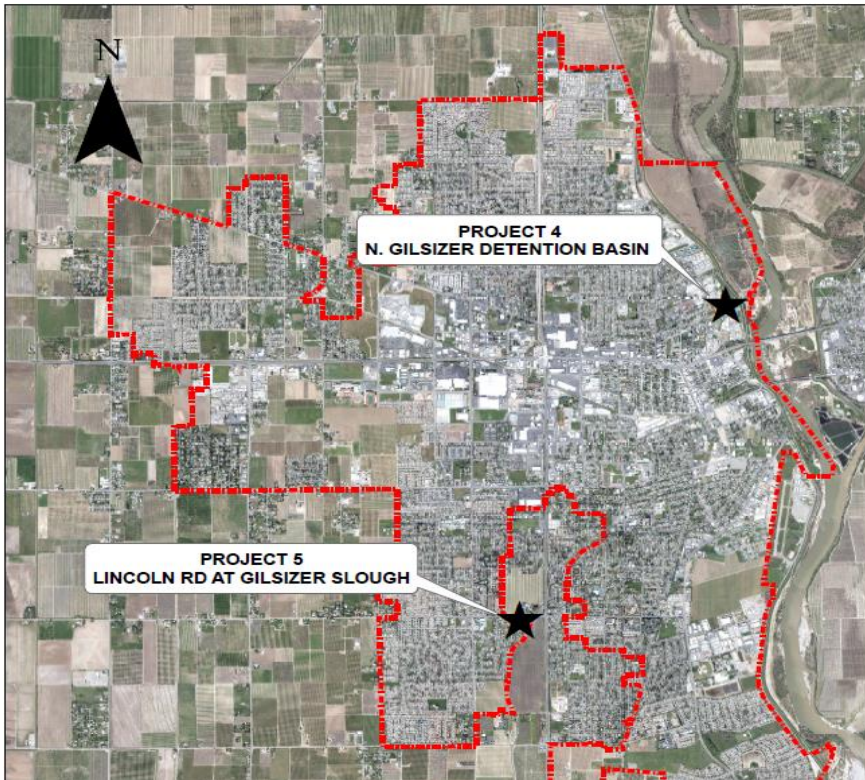


**Proposition 1 North Sacramento
Valley Integrated Regional Water
Management Projects
April 5, 2022**



**Presentation By:
Benjamin Moody Public Works Director**

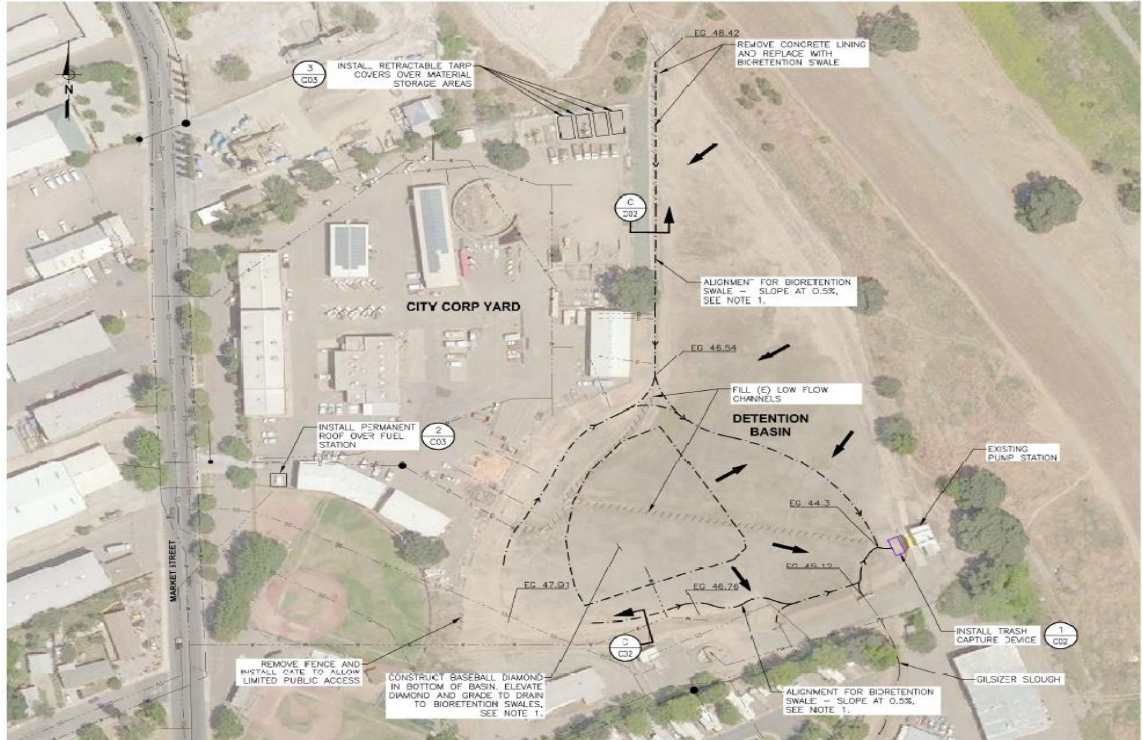
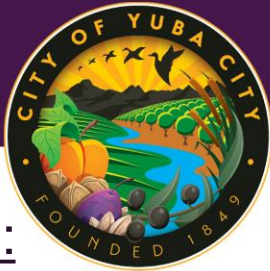
Project #4 - North Gilsizer Detention Basin Improvement Project



Project Locations:

- Project #4 - North Gilsizer Detention Basin Improvement Project
 - adjacent to the City's Corporation Yard
- Project #5 – Trash Capture Device in Gilsizer Slough at Lincoln Rd Project

Project #4 - North Gilsizer Detention Basin Improvement Project



GILSIZER NORTH DETENTION BASIN MODIFICATIONS PROJECT

0 50 100
SCALE IN FEET

Project Includes:

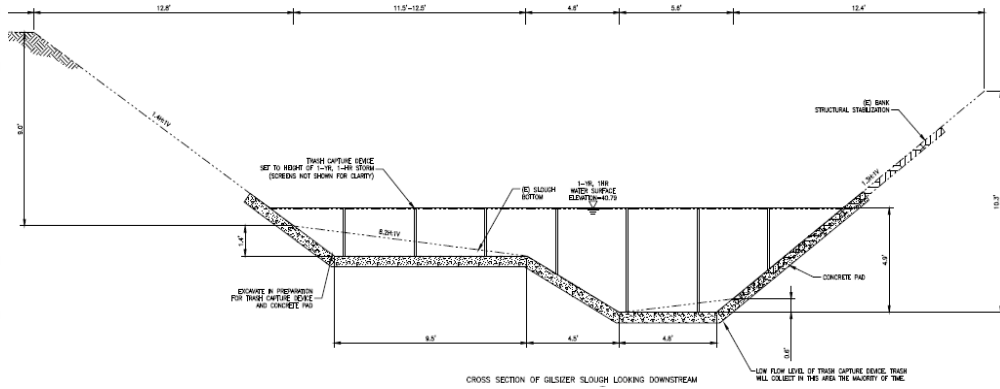
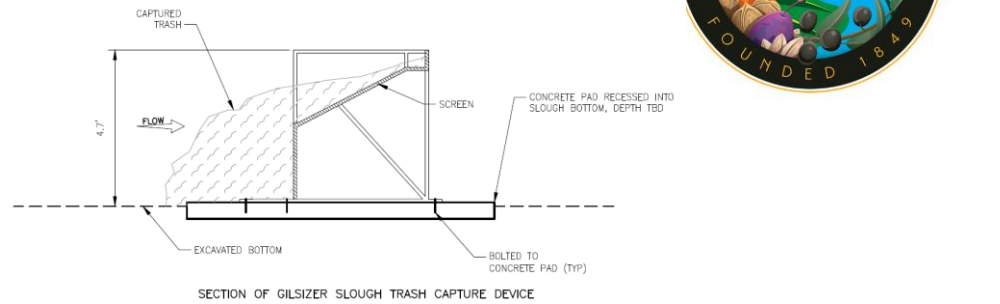
- Detention Basin improvements to allow increased infiltration
- Installation of trash capture device at outlet
- Cover for the Corporation Yard's Fuel Station
- New retractable tarps for oil-based bulk material storage areas

Project #5 - Trash Capture Device in Gilsizer Slough at Lincoln Rd



GILSIZER SLOUGH AT LINCOLN ROAD TRASH CAPTURE

SCALE: 1"=80'



LOW FLOW LEVEL OF TRASH CAPTURE DEVICE. TRASH WILL COLLECT IN THIS AREA THE MAJORITY OF THE TIME.